

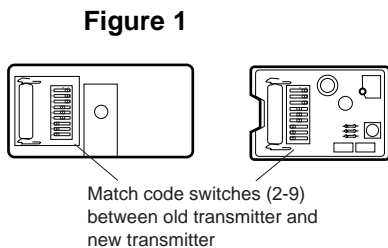
CHAMBERLAIN®  
**LiftMaster®**  
**PROFESSIONAL**

Model 64LM Multi-Function Mini Transmitter  
 Owner's Manual

The multi-function mini transmitter has three buttons. The large top button is recommended for use with a garage door opener and/or light control product. The other push buttons can be used to operate another garage door opener and/or light control product. Instructions for programming light controls are included with those accessories.

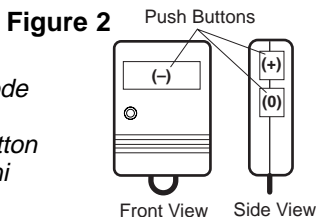
**To match the code switches in the new and original transmitters**

Locate the code switches in the multi-function mini transmitter by turning the transmitter over and removing the case screw and removing the back of the case. Be careful to avoid moving the circuit board components.



Place the new transmitter and the original transmitter side by side as shown (Figure 1) and set the switches in both transmitters to matching positions (+,0,-). Use a pen or screwdriver to slide the code switches.

**Note:** Code switch #1 in the multi-function mini transmitter is dormant, when used with a single-function transmitter. Set code switch #1, in the single-function transmitter, to match the push button selected on the multi-function mini transmitter (Figure 2).



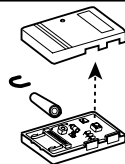
**Replacing the transmitter battery**

**⚠ WARNING**

To prevent possible SERIOUS INJURY or DEATH:

- NEVER allow small children near batteries.
- If battery is swallowed, immediately notify doctor.

The 12 volt battery should provide power for up to 1 year. To replace the battery remove the case screw and the cover.



Dispose of old batteries properly.

**NOTICE:** To comply with FCC and or Industry Canada rules, adjustment or modifications of this receiver and/or transmitter are prohibited, except for changing the code setting or replacing the battery. THERE ARE NO OTHER USER SERVICEABLE PARTS.

Tested to Comply with FCC Standards FOR HOME OR OFFICE USE. Operation is subject to the following two conditions: (1) this device may not cause harmful interference, and (2) this device must accept any interference received, including interference that may cause undesired operation.

**Replacement Parts**

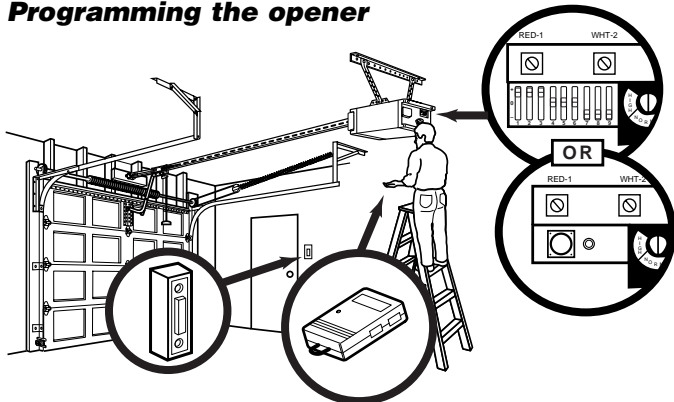
- Transmitter case only (circuit board not included) .....41A3604
- 12V Battery .....10A14

**⚠ WARNING**

To prevent possible SERIOUS INJURY or DEATH from a moving gate or garage door:

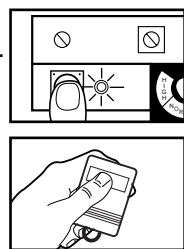
- ALWAYS keep remote controls out of reach of children. NEVER permit children to operate, or play with remote control transmitters.
- Activate gate or door ONLY when it can be seen clearly, is properly adjusted, and there are no obstructions to door travel.
- ALWAYS keep gate or garage door in sight until completely closed. NEVER permit anyone to cross path of moving gate or door.

**Programming the opener**



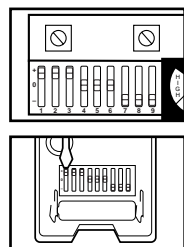
**If your unit has a "Learn" button:**

1. Press and release the "learn" button located on the back panel of the motor unit. The learn indicator light will glow steadily for 30 seconds.
2. Within the 30 second window, press and hold the button on the hand-held remote.
3. The unit will either activate or the opener light bulb will blink signifying it has learned the code.



**If your unit has code switches:**

1. Using a step ladder climb up to the back of your motor unit. Check the code switch settings on the back of the motor unit.
2. Use a pen or screw driver to set the code switches on the back of the transmitter to match the code switches on the back of the motor unit.
3. Once the code switches have been set push the transmitter button to activate your unit.



**FOR SERVICE, DIAL OUR TOLL-FREE NUMBER:  
 1-800-528-2817**